

IX PowerStations

Next Generation Hardware Combined with InteractX Provides our Most Reliable and Powerful Supervisory HMI Ever



The InteractX™ (IX) PowerStation combines rugged, industrial design coupled with sleek, modern aesthetics. Packed with the time-tested, powerful InteractX software, this HMI provides SCADA-like capabilities in a thin, economical package.

Small Size, Big Horsepower

The quad core processor unlocks the power of InteractX. Communications to multiple PLC's, machine HMIs or other devices are handled with ease as the rich graphics, animations, and critical data update faster than ever before. The impressive responsiveness of screen navigation, along with the power of InteractX makes this small package a big winner.

InteractX

The IX is preloaded with InteractX software

Reduced Development Time

Pair the IX supervisory HMI to the XT Powerstation, Parker's machine-level HMI, to reduce your development time up to 80%!

The IX, running InteractX, can connect directly to an XT, using Interact Xpress™. The XT can share screens and data with the IX, allowing you to reuse your machine level application elements at the Supervisory level saving development time and money.

Advanced Tools Made Easy

InteractX provides an intuitive, drag-and-drop graphical design interface reducing the time to develop your interface. Prebuilt ActiveX tools allow you to use advanced functions with little effort. InteractX adds the industry's easiest trending ever – simply point and click and you are logging!

Reduced Cabinet Size

Offered in a variety of sizes from a compact 7" to a immersive 22", the IX depth of each HMI offers minimal intrusion into the cabinet allowing the IX to fit where other HMIs cannot.

The widescreen aspect ratio provides 40% more screen space over a traditional 4:3 ratio, providing room for additional functionality or a decluttered screen that provides clear information and reduces opportunity for operator error.

Increased Reliability

Every aspect of the IX design protects against common failure modes to provide long lasting and reliable operation.

The IX's fan-less and ventless design allows users to install-and-forget by avoiding the most common component failure in Industrial PCs: the fan. Coupled with a mechanically reinforced SSD, and intensive shock and vibration specifications, the IX is meant to withstand any industrial condition.

Secure Remote Access

Easily win over IT with Dual LAN ports that enable users to separate machine networks to those exposed to either the office network or the Internet.

This is especially critical in applications implementing motion or process control software where safety is a concern.



IX Features

- 7, 10, 15 and 22" touchscreen displays
- No display option
- 1.83GHz Quad Core, 4GB DDR3L
- 2 USB, 2 Serial, 2 LAN ports
- 64 GB SSD
- Slim 1.3" cabinet depth
- Fan-less and vent-less
- Unlimited PLC/device connections
- Protocol conversion between connections
- Unlimited Tags, Screens, Alarms
- Vivid colors and rich graphics
- Secure Remote View/Control/Edit
- IP65 aluminum bezel
- Analog resistive & projected capacitive touchscreen options



ENGINEERING YOUR SUCCESS.

InteractX Software

Unlimited tags - no hidden costs

Vast driver support allows aggregation of data from today's most popular HMIs, PLCs, and other industrial devices

Support for Microsoft Access, SQL, Oracle and ODBC and easy to use database management tools

Sophisticated recipe management, historical trending and alarm tools included to make programming easy

Support for 21CFR11 allows any FDA audited industry provide authentication and log operator changes

Easy multi-language support



InteractX Supervisory HMI

InteractX leads the industry with breakthrough HMI graphics and built-in connectivity. Now with version 4.1, InteractX leads the way in the supervisory HMI category by dramatically reducing application development time and integration cost for your manufacturing operations.

InteractX 4.1 provides powerful trending and analysis tools that aggregate data from multiple machines or work-cells, and easily pulls Interact Xpress machine level HMI screens and data directly into its interface—without having to recreate applications or input tags!

- Hardware/software integration optimizes performance, storage, and connectivity
- Rich, graphical runtime interface that is scalable to various screen sizes

- Runs sophisticated graphics, animations, and video to enhance the operator experience
- Advanced security tools support single and multi-user applications, as well as integrated development from operator interface
- Full featured historical trending software
- Supervisory-level HMI aggregates data from multiple sources, including 3rd-party PLCs and HMI panels
- Time-saving “distributed HMI” integration with Interact Xpress
- Sophisticated recipe management tools included
- Preconfigured and custom Panel tool library for quick screen development
- ActiveX controls for easy integration of 3rd party tools
- Includes Visual Basic for applications (VBA) for advanced customization
- Vast 3rd party OPC client/server support
- One-click multi-language support
- Standards-compliant browser



IX PowerStation Specifications

Features	IXA-000	IXA-007	IXA-010	IXA-015	IXA-022
Size		7"	10.1"	15.6"	21.5"
Resolution	Headless IX; has no display, but has an HDMI and VGA video out port	WVGA (800x480)	WXGA (1280x800)	FWXGA (1366x768)	HD (1920x1080)
Viewing Angle		140(H) / 110(V)	160(H) / 160(V)	160(H) / 160(V)	178(H) / 178(V)
Brightness		350 cd/m2	350 cd/m2	300 cd/m2	250 cd/m2
Bulb Life (hrs)		40,000	40,000	50,000	30,000
Weight (lbs)		2.0	2.58	4.24	10.34
Touch Interface	—	Analog Resistive	Analog Resistive	Analog Resistive	Analog Resistive or Projected Capacitive
Power Input	12/24 VDC @ 7W	12/24 VDC @ 9W	12/24 VDC @ 11W	12/24 VDC @ 18W	12/24 VDC @ 20W
HMI Software	InteractX embedded runtime				
Processor & RAM	Intel Bay Trail N2930 (1.83 GHz Quad Core) with 4GB DDR3L				
SD Storage	64 GB SSD				
Operating System	Windows Embedded Standard 7P or Windows 10 Enterprise 2016 LTSB				
Ports	USB	(3) USB 2.0; (1) USB 3.0	(1) USB 2.0; (1) USB 3.0		
	Serial	(1) RS-232/422/485; (1) RS-232			
	Ethernet	(2) 1000 Base-T, RJ45			
	Audio Out	(1) Audio Out			
Environment	Operating Temp	-10 – 60 °C	0 - 50 °C		
	Storage Temp	-40 - 85 °C	- 20 - 60 °C		
	Rel. Humidity	10-90% @ 40°C, non-condensing			
	Vibration	5-500 Hz: 1 Grms random			
	Shock	15 G peak @ 11 msec			
	IP Rating	IP65 Front Bezel			

IX Ordering Information

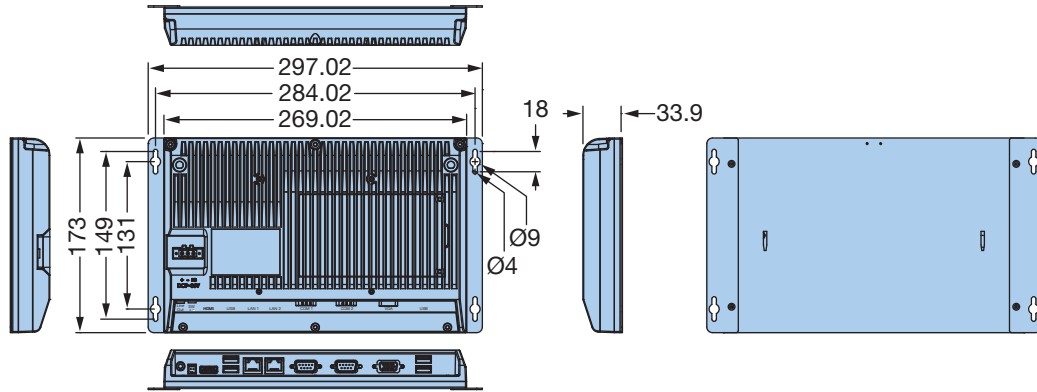
	1	2	-	3	-	4	5	6	-	7	8
Order example	IX	A	-	010	-	3	R	3	-	1	3

1 Series	IX	InteractX Powerstation
2 Bezel Type	A	Aluminum
3 Size	000	Headless Display
	007	7" Touchscreen
	010	10" Touchscreen
	015	15" Touchscreen
	022	22" Touchscreen
4 Processor	3	Intel N2930 Bay Trail

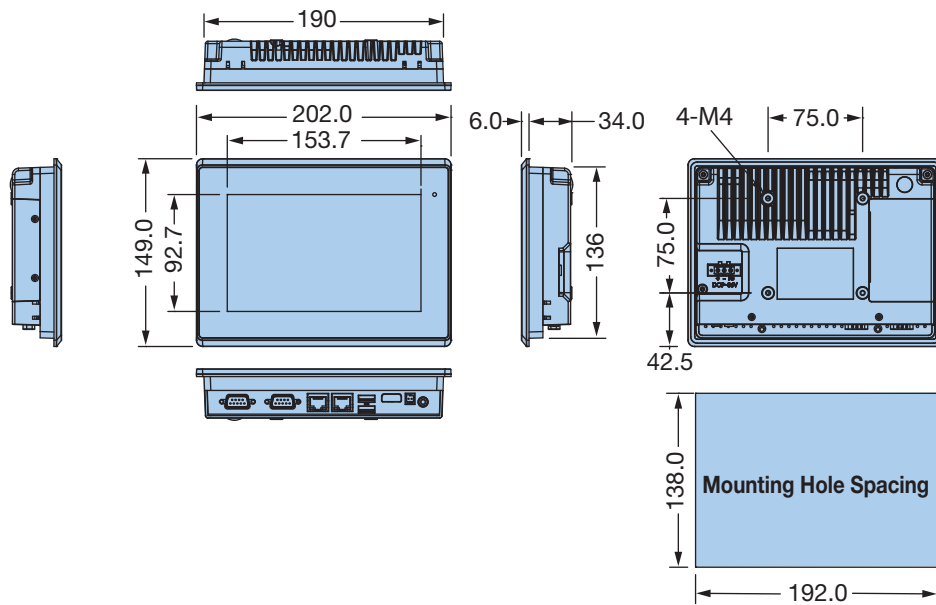
5 Touch Options	N	No display
	R	Analog resistive touch
	P	Projective capacitive
6 Storage	3	64GB solid state drive
7 Operating System	1	Windows 10 Enterprise 2016 LTSB
	5	Windows Embedded Standard 7P
8 Agency Approvals	3	CE, UL/cUL, IEC/EN61010
	5	Haz-Loc (Class 1 Div2)

Dimensions [mm, mounting hole tolerance ±0.5]

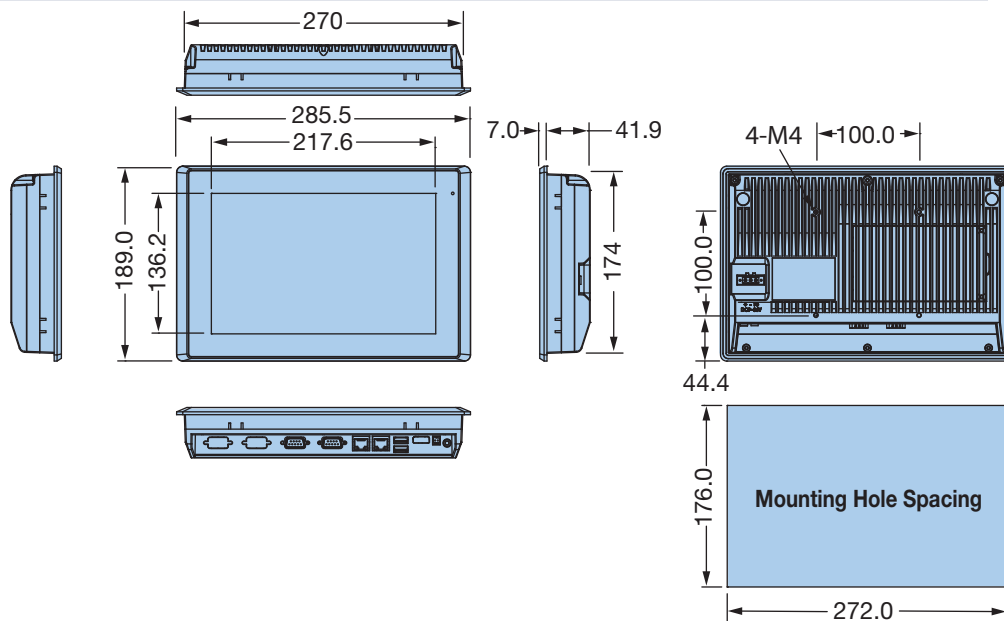
IXA-000



IXA-007

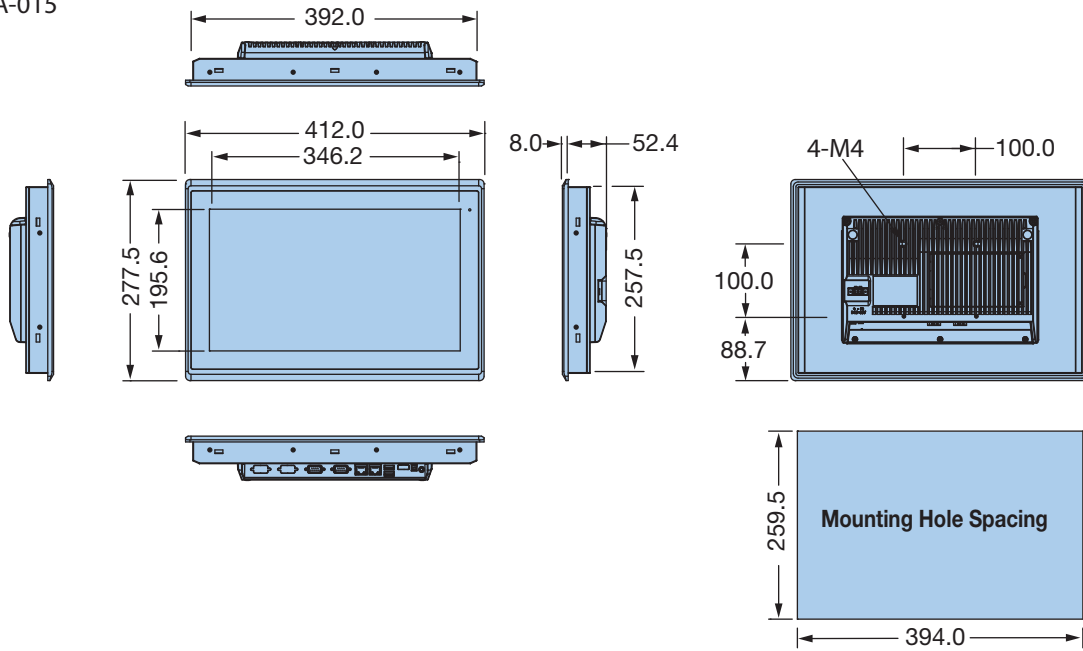


IXA-010

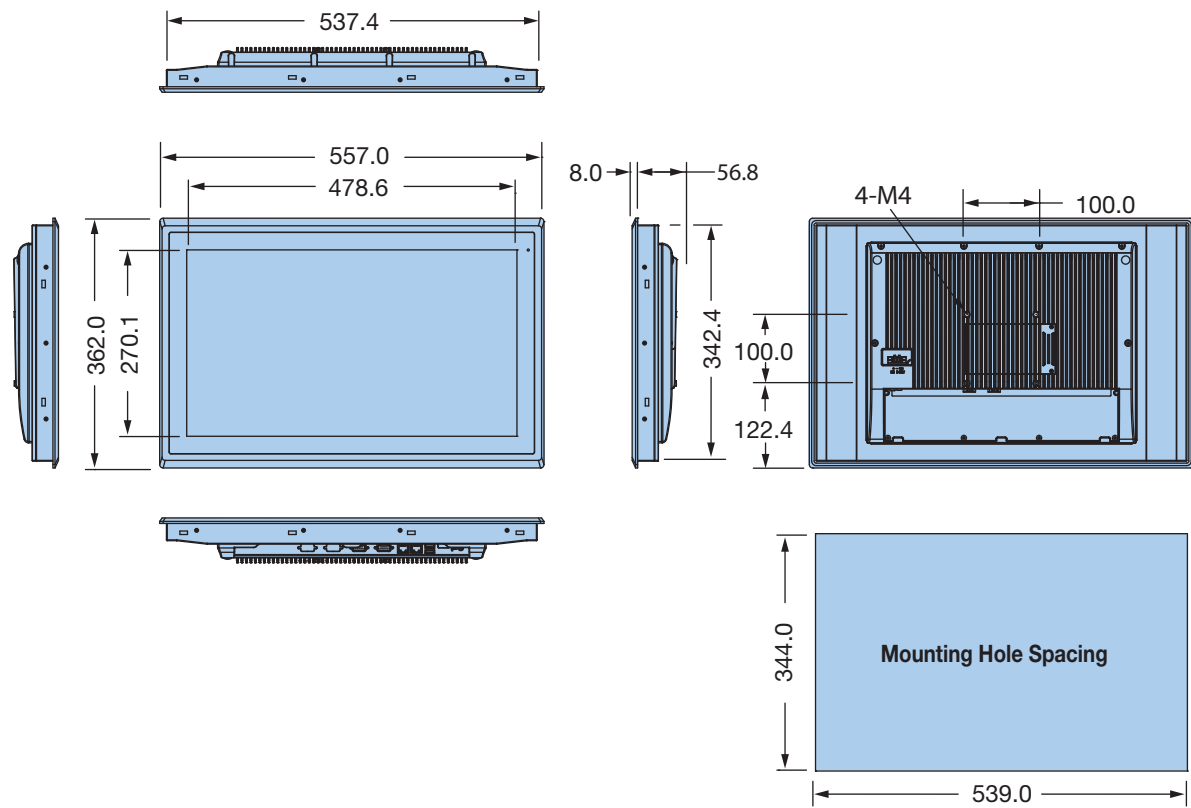


Dimensions [mm, mounting hole tolerance ±0.5]

IXA-015



IXA-022



Parker Worldwide

Europe, Middle East, Africa

AE – United Arab Emirates, Dubai
Tel: +971 4 8127100
parker.me@parker.com

AT – Austria, St. Florian
Tel: +43 (0)7224 66201
parker.austria@parker.com

AZ – Azerbaijan, Baku
Tel: +994 50 2233 458
parker.azerbaijan@parker.com

BE/NL/LU – Benelux, Hendrik Ido Ambacht
Tel: +31 (0)541 585 000
parker.nl@parker.com

BG – Bulgaria, Sofia
Tel: +359 2 980 1344
parker.bulgaria@parker.com

BY – Belarus, Minsk
Tel: +48 (0)22 573 24 00
parker.poland@parker.com

CH – Switzerland, Etoy
Tel: +41 (0)21 821 87 00
parker.switzerland@parker.com

CZ – Czech Republic, Klecany
Tel: +420 284 083 111
parker.czechrepublic@parker.com

DE – Germany, Kaarst
Tel: +49 (0)2131 4016 0
parker.germany@parker.com

DK – Denmark, Ballerup
Tel: +45 43 56 04 00
parker.denmark@parker.com

ES – Spain, Madrid
Tel: +34 902 330 001
parker.spain@parker.com

FI – Finland, Vantaa
Tel: +358 (0)20 753 2500
parker.finland@parker.com

FR – France, Contamine s/Arve
Tel: +33 (0)4 50 25 80 25
parker.france@parker.com

GR – Greece, Piraeus
Tel: +30 210 933 6450
parker.greece@parker.com

HU – Hungary, Budaörs
Tel: +36 23 885 470
parker.hungary@parker.com

IE – Ireland, Dublin
Tel: +353 (0)1 466 6370
parker.ireland@parker.com

IL – Israel
Tel: +39 02 45 19 21
parker.israel@parker.com

IT – Italy, Corsico (MI)
Tel: +39 02 45 19 21
parker.italy@parker.com

KZ – Kazakhstan, Almaty
Tel: +7 7273 561 000
parker.easteurope@parker.com

NO – Norway, Asker
Tel: +47 66 75 34 00
parker.norway@parker.com

PL – Poland, Warsaw
Tel: +48 (0)22 573 24 00
parker.poland@parker.com

PT – Portugal
Tel: +351 22 999 7360
parker.portugal@parker.com

RO – Romania, Bucharest
Tel: +40 21 252 1382
parker.romania@parker.com

RU – Russia, Moscow
Tel: +7 495 645-2156
parker.russia@parker.com

SE – Sweden, Borås
Tel: +46 (0)8 59 79 50 00
parker.sweden@parker.com

SK – Slovakia, Banská Bystrica
Tel: +421 484 162 252
parker.slovakia@parker.com

SL – Slovenia, Novo Mesto
Tel: +386 7 337 6650
parker.slovenia@parker.com

TR – Turkey, Istanbul
Tel: +90 216 4997081
parker.turkey@parker.com

UA – Ukraine, Kiev
Tel: +48 (0)22 573 24 00
parker.poland@parker.com

UK – United Kingdom, Warwick
Tel: +44 (0)1926 317 878
parker.uk@parker.com

ZA – South Africa, Kempton Park
Tel: +27 (0)11 961 0700
parker.southafrica@parker.com

North America

CA – Canada, Milton, Ontario
Tel: +1 905 693 3000

US – USA, Cleveland
Tel: +1 216 896 3000

Asia Pacific

AU – Australia, Castle Hill
Tel: +61 (0)2-9634 7777

CN – China, Shanghai
Tel: +86 21 2899 5000

HK – Hong Kong
Tel: +852 2428 8008

IN – India, Mumbai
Tel: +91 22 6513 7081-85

JP – Japan, Tokyo
Tel: +81 (0)3 6408 3901

KR – South Korea, Seoul
Tel: +82 2 559 0400

MY – Malaysia, Shah Alam
Tel: +60 3 7849 0800

NZ – New Zealand, Mt Wellington
Tel: +64 9 574 1744

SG – Singapore
Tel: +65 6887 6300

TH – Thailand, Bangkok
Tel: +662 186 7000

TW – Taiwan, Taipei
Tel: +886 2 2298 8987

South America

AR – Argentina, Buenos Aires
Tel: +54 3327 44 4129

BR – Brazil, Sao Jose dos Campos
Tel: +55 800 727 5374

CL – Chile, Santiago
Tel: +56 2 623 1216

MX – Mexico, Toluca
Tel: +52 72 2275 4200



Parker Hannifin Corporation
Electronic Motion and Controls Div.

1140 Sandy Hill Road
Irwin, PA 15642 USA
phone (800) 358-9070
parker.com/emdusa